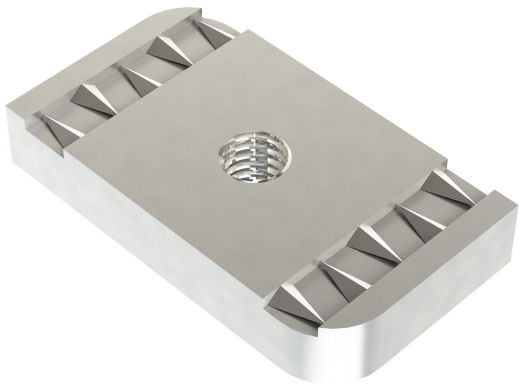


PRODUCT CODE: CS23-GA
CHANNEL SPRING NUT



DESCRIPTION

M12 Plain Spring Nut

FINISH

Hot Dipped Galvanised

MATERIAL

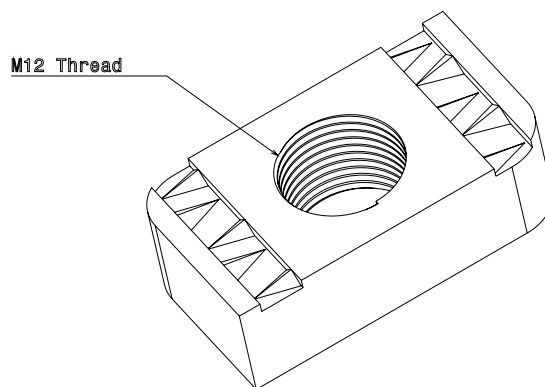
Steel

PACKAGING

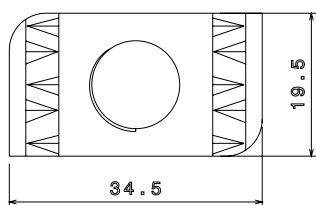
Packed in qty 100

ADDITIONAL NOTES

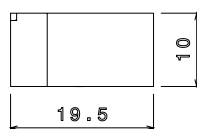
Produced to comply with the requirements of BS6946 Metal Channel Support Systems
For use with 21mm and 41mm depth channel
Compliant to LU Standard 1-085 (for use on surface & sub-surface locations)



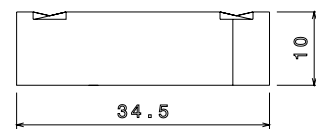
Isometric view



Top view



Front view



Side view